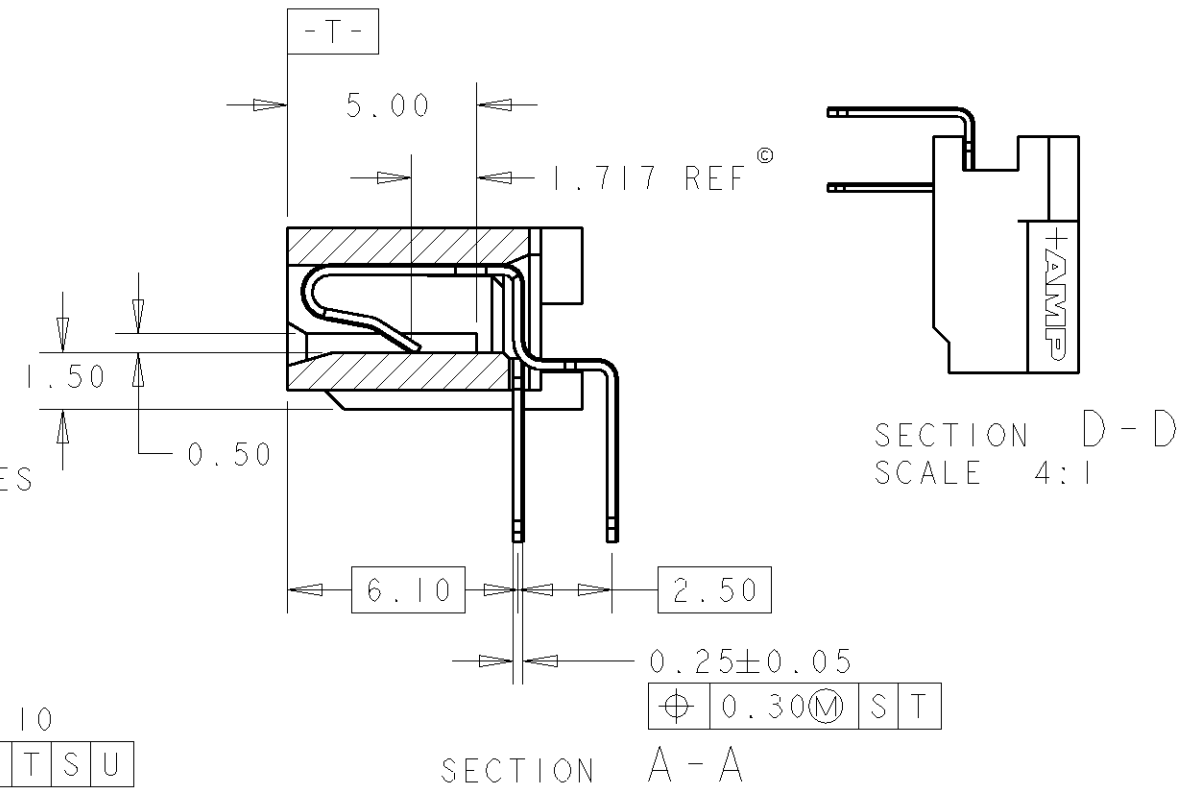
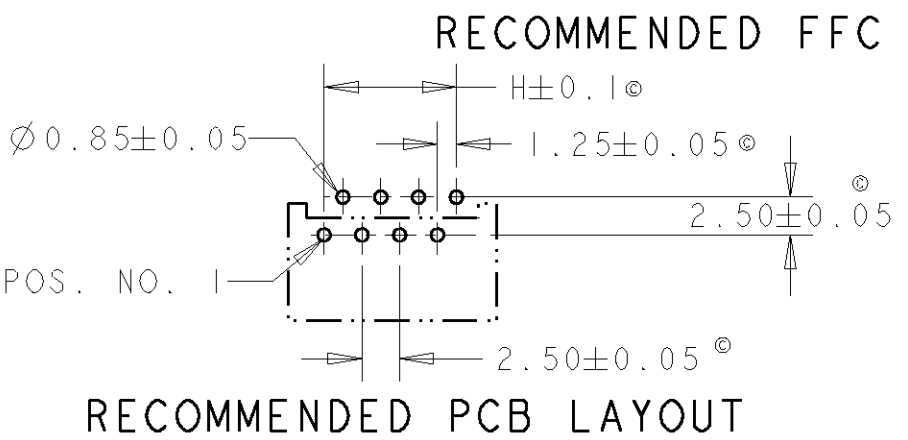
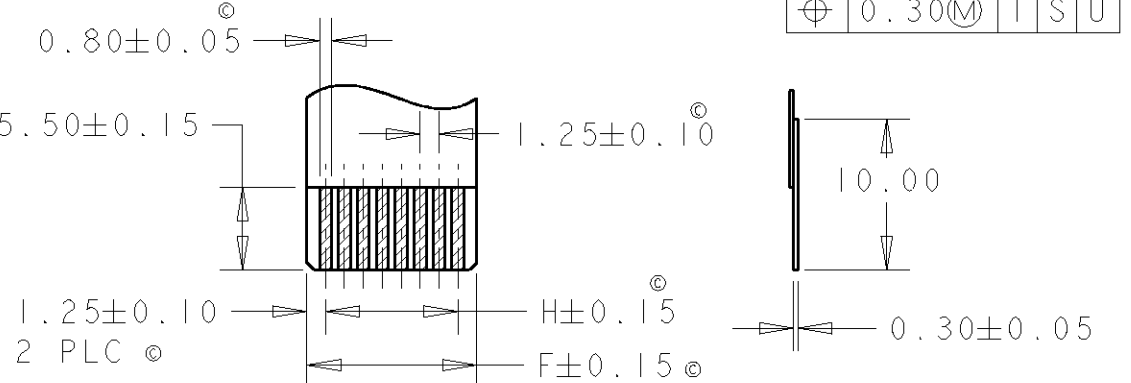
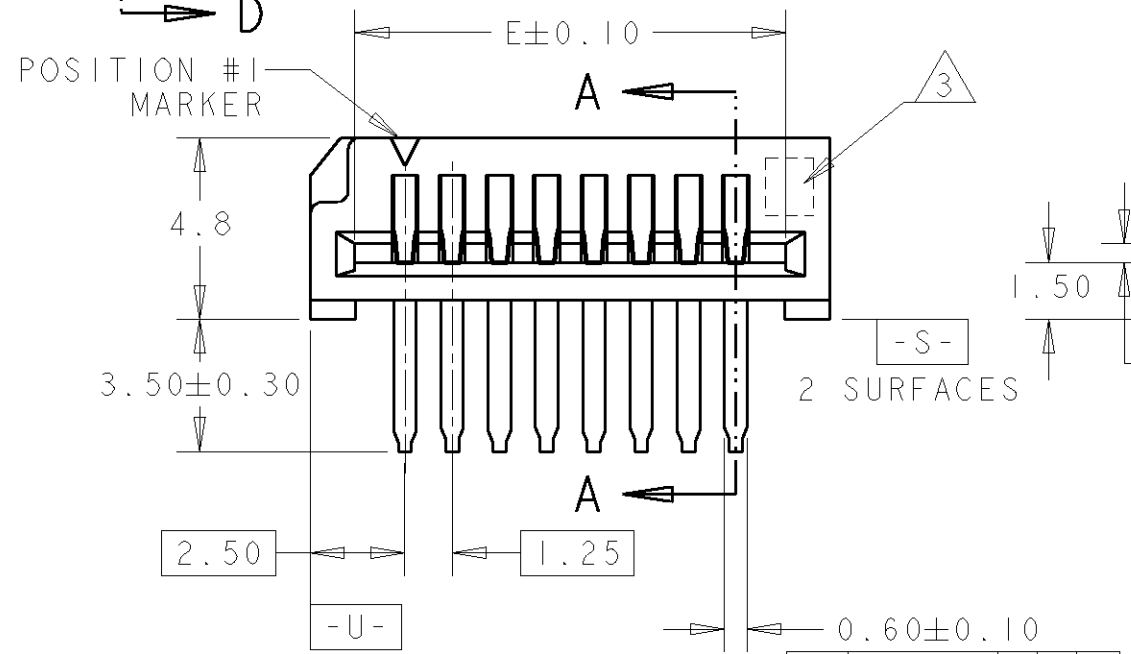
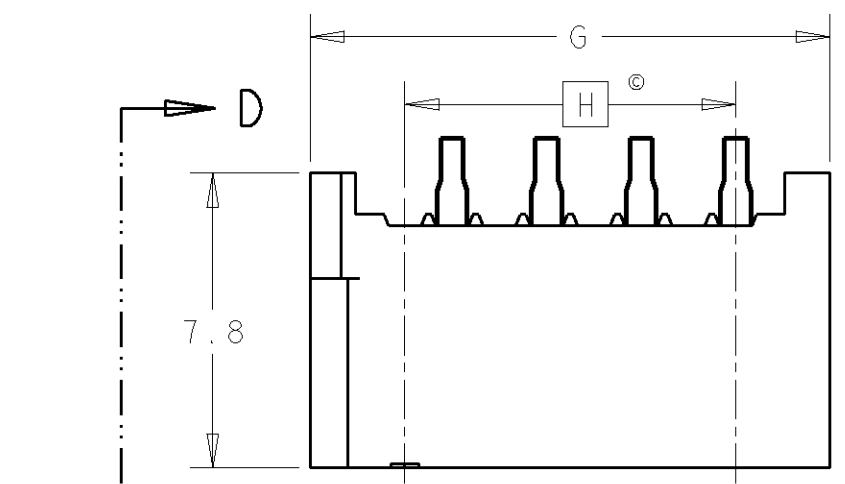


LOC	DIST	REVISIONS					
DY	-	P	LTR	DESCRIPTION	DATE	DWN	APVD
		D		REVISED FP00-0040-03	18MAR03	LWY	TLP

NOTES:

- 1 MATERIAL:  
 HOUSING: GLASS FILLED PBT, WHITE COLOR  
 CONTACT: POST PLATED TIN PHOSPHOR BRONZE®
- 2 INDICATION OF NUMBER OF POSITION ©



48.75	53.75	51.25	51.40	40	4-84386-0
47.50	52.50	50.00	50.15	39	▲ -9
46.25	51.25	48.75	48.90	38	-8
45.00	50.00	47.50	47.65	37	-7
43.75	48.75	46.25	46.40	36	-6
42.50	47.50	45.00	45.15	35	-5
41.25	46.25	43.75	43.90	34	-4
40.00	45.00	42.50	42.65	33	-3
38.75	43.75	41.25	41.40	32	-2
37.50	42.50	40.00	40.15	31	-1
36.25	41.25	38.75	38.90	30	3-84386-0
35.00	40.00	37.50	37.65	29	▲ -9
33.75	38.75	36.25	36.40	28	-8
32.50	37.50	35.00	35.15	27	-7
31.25	36.25	33.75	33.90	26	-6
30.00	35.00	32.50	32.65	25	-5
28.75	33.75	31.25	31.40	24	-4
27.50	32.50	30.00	30.15	23	-3
26.25	31.25	28.75	28.90	22	-2
25.00	30.00	27.50	27.65	21	-1
23.75	28.75	26.25	26.40	20	2-84386-0
22.50	27.50	25.00	25.15	19	▲ -9
21.25	26.25	23.75	23.90	18	-8
20.00	25.00	22.50	22.65	17	-7
18.75	23.75	21.25	21.40	16	-6
17.50	22.50	20.00	20.15	15	-5
16.25	21.25	18.75	18.90	14	-4
15.00	20.00	17.50	17.65	13	-3
13.75	18.75	16.25	16.40	12	-2
12.50	17.50	15.00	15.15	11	-1
11.25	16.25	13.75	13.90	10	1-84386-0
10.00	15.00	12.50	12.65	9	▲ -9
8.75	13.75	11.25	11.40	8	-8
7.50	12.50	10.00	10.15	7	-7
6.25	11.25	8.75	8.90	6	-6
5.00	10.00	7.50	7.65	5	-5
3.75	8.75	6.25	6.40	4	0-84386-4
H	G	F	E	POS.	PART NO.

THIS DRAWING IS A CONTROLLED DOCUMENT FOR AMP INCORPORATED. IT IS SUBJECT TO CHANGE AND THE CONTROLLING ENGINEERING ORGANIZATION SHOULD BE CONTACTED FOR THE LATEST REVISION.		DWN 14DEC95 WYLEE	AMP MANUFACTURING SINGAPORE PTE. LTD.
DIMENSIONS: mm		CHK WLCHOO	
TOLERANCES UNLESS OTHERWISE SPECIFIED:		APVD WL CHOO	NAME
0 PLC ±0.2	1 PLC ±0.25	PRODUCT SPEC 108-51021	ASSY, 1.25mm FFC CONN, HORIZONTAL, NO KINK (LEAD FREE)®
2 PLC ±0.25	3 PLC ±	APPLICATION SPEC	SIZE A3
4 PLC ±	ANGLES ±3°	WEIGHT -	CAGE CODE 00779
MATERIAL	FINISH	CUSTOMER DRAWING	DRAWING NO C-84386
			SCALE 5:1 SHEET 1 OF 1 REV D